

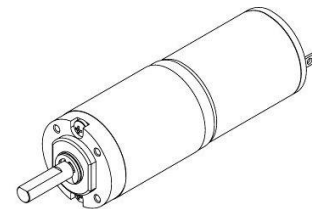
**PLANETARY GEARED MOTOR**  
**P22B**



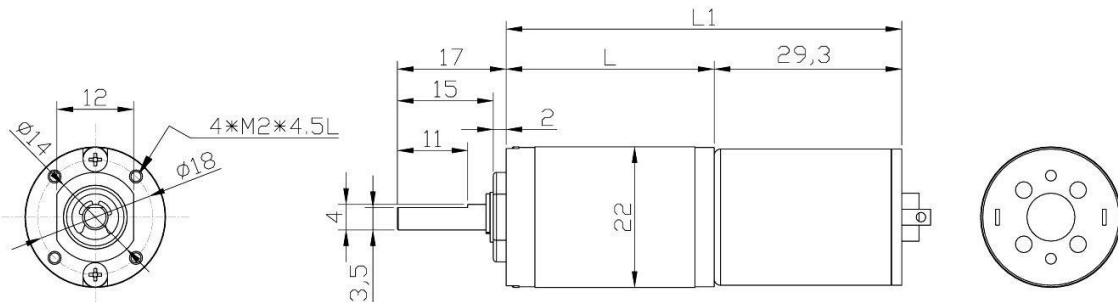
DIA22mm LENGTH 45-62mm  
MAX. TORQUE SUGGESTION 8 kg-cm  
RATIO: 1/4 ~ 1/424

RATIO	L	L1
1/4	15.9	45.2
1/15.6~1/20.9	21.4	50.7
1/61.6~1/94.2	26.9	56.2
1/277.3~1/423.9	32.3	61.6

P22-B-M21



- 1 stage : 1/4
- 2 stages : 1/16 , 1/18 , 1/21
- 3 stages : 1/62 , 1/70 , 1/80 , 1/94
- 4 stages : 1/243 , 1/277 , 1/316 , 1/360 , 1/424

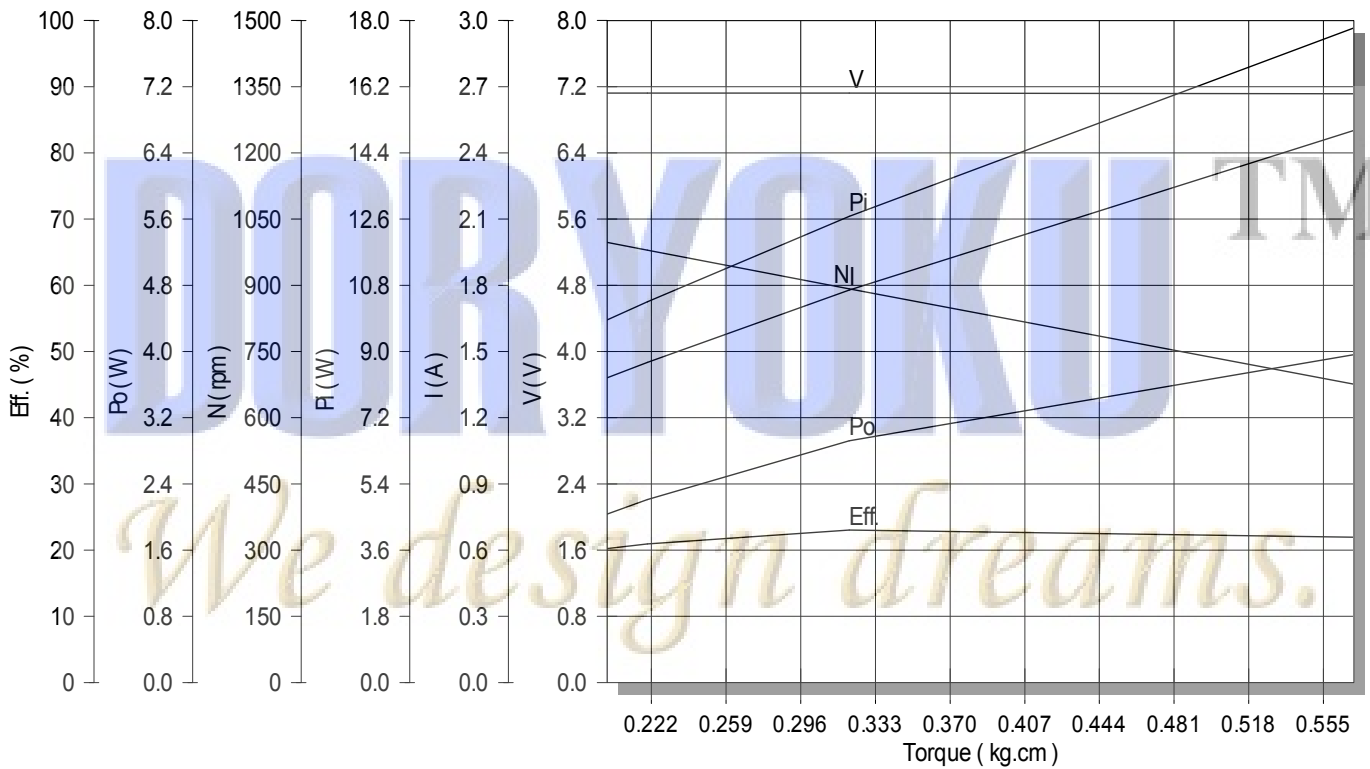


Performance Curves of Torque, Current, Speed will be attached as sample request.



\*Longer Version/ Magnetic encoder OPTION

**DATASHEET**  
GRAPH



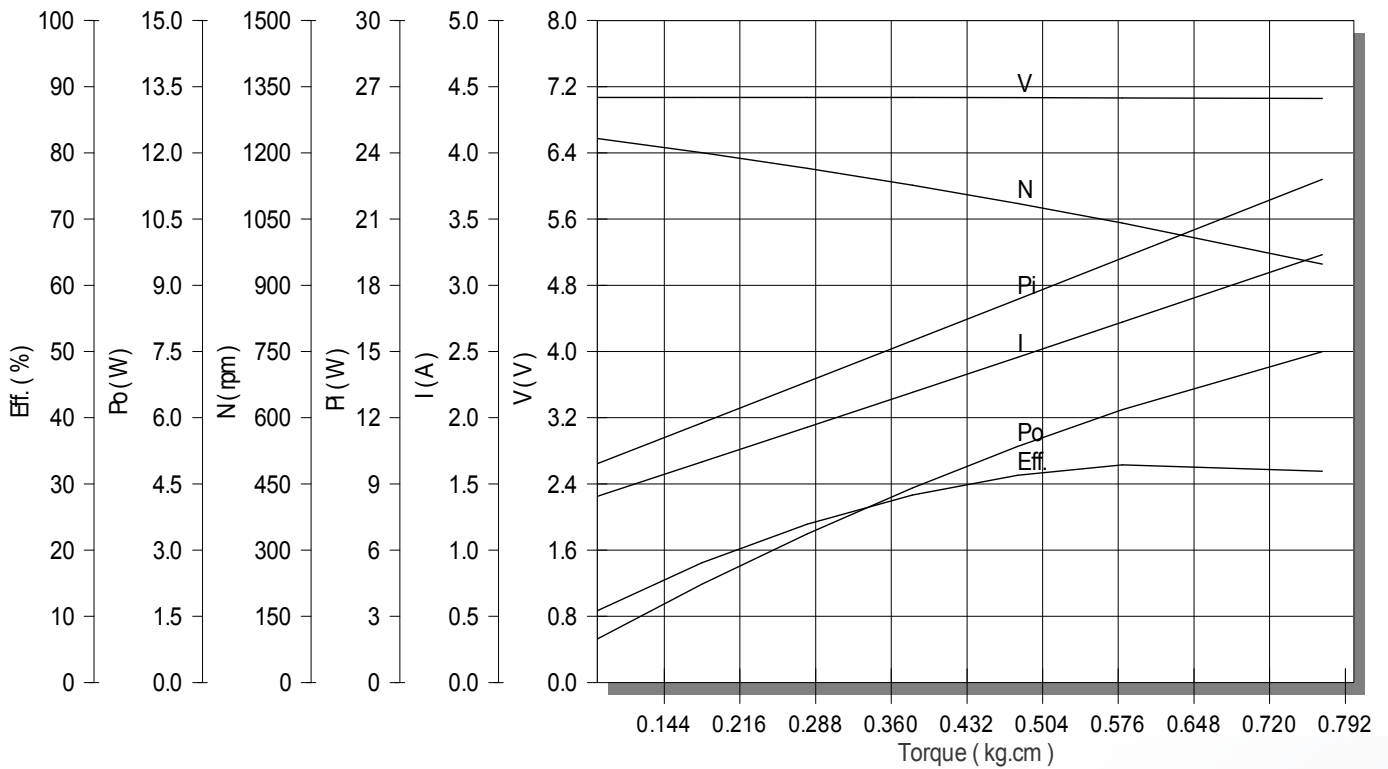
**KING RIGHT MOTOR CO., LTD.**  
**DC MOTOR TESTED TECHNICAL DATA**

Date : 2009/5/11  
 MODEL NAME : P220016M2107200-013  
 BATCH NAME : 微動力-P220016  
 SUB NAME : 20090511\_16\_27\_33

MACHINE TYPE : 8.5kg.cm  
 GEAR RATIO : 1 / 16  
 NO-LOAD-SPEED : 1200  
 VOLTAGE : 7 VDC CURRENT :

NO.	(V) VOLTAGE	(A) AMP.	(W) INPUT	(kg-cm) TORQUE	(rpm) SPEED	(W) OUTPUT	(%) EFF.
1	7.13	1.11	8.0	0.12	1057	1.3	16.36
2	7.12	1.21	8.7	0.15	1045	1.6	18.59
3	7.12	1.32	9.4	0.18	1012	1.9	19.87
4	7.12	1.27	9.1	0.18	1017	1.9	20.70
5	7.13	1.67	11.9	0.27	930	2.6	21.64
6	7.12	1.64	11.7	0.27	943	2.6	22.31
7	7.12	1.63	11.6	0.28	953	2.7	23.53
8	7.12	1.94	13.8	0.37	857	3.3	23.55
9	7.12	1.90	13.6	0.37	852	3.2	23.57
10	7.12	1.90	13.5	0.37	839	3.2	23.87
11	7.13	1.95	13.9	0.37	839	3.2	22.89
12	7.11	2.23	15.8	0.47	751	3.6	22.86
13	7.12	2.25	16.0	0.47	745	3.6	22.65
14	7.12	2.50	17.8	0.57	688	4.0	22.44
15	7.11	2.50	17.8	0.57	679	4.0	22.30

# DATASHEET GRAPH



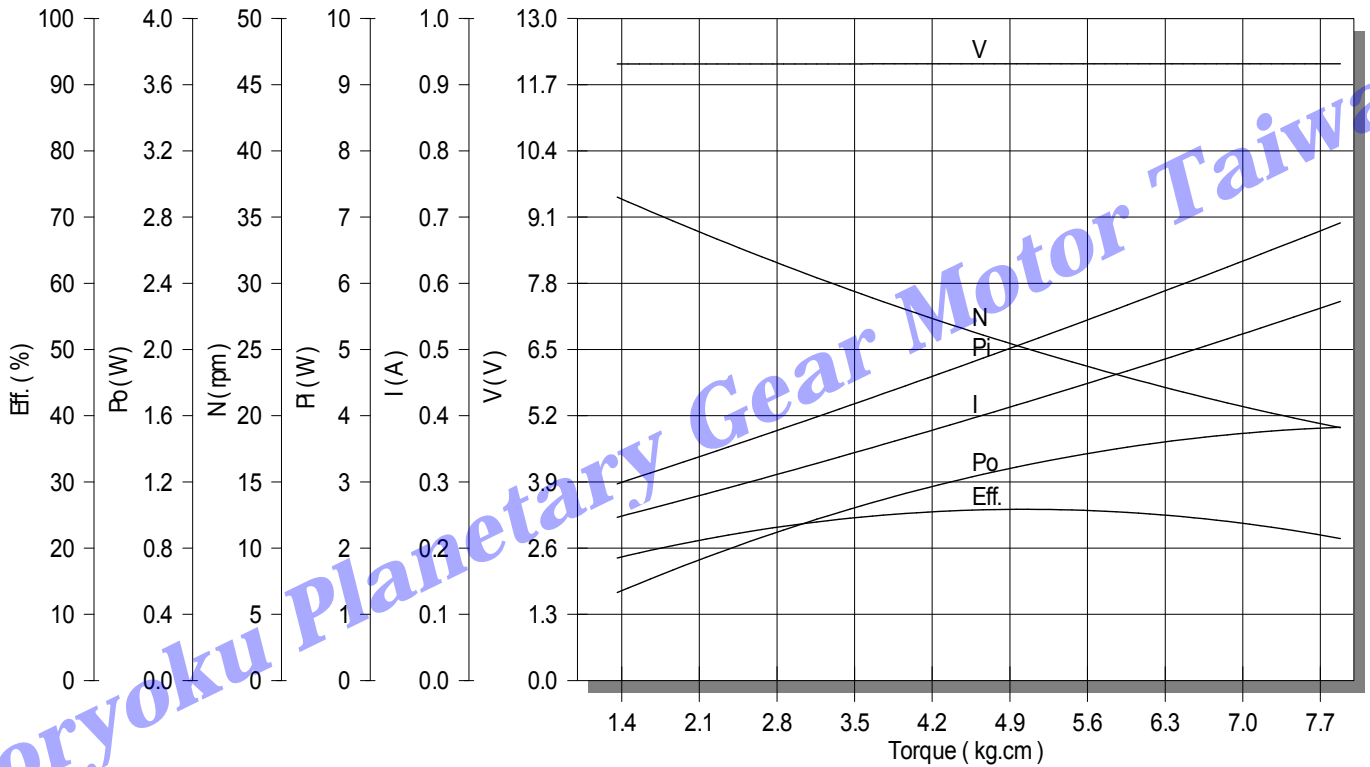
## KING RIGHT MOTOR CO., LTD. DC MOTOR TESTED TECHNICAL DATA

Date : 2009/6/11  
 MODEL NAME : P220016M2107200-013  
 BATCH NAME : 微動力-P220016  
 SUB NAME : 20090611\_16\_15\_53

MACHINE TYPE : 8.5kg.cm  
 GEAR RATIO : 1 / 16  
 NO-LOAD-SPEED : 1200  
 VOLTAGE : 7 VDC CURRENT :

NO.	(V) VOLTAGE	(A) AMP.	(W) INPUT	(kg-cm) TORQUE	(rpm) SPEED	(W) OUTPUT	(%) EFF.
1	7.07	1.34	9.5	0.08	1240	1.0	10.76
2	7.07	1.43	10.1	0.08	1238	1.0	10.08
3	7.07	1.67	11.8	0.18	1199	2.2	18.79
4	7.07	1.65	11.7	0.18	1191	2.2	18.88
5	7.07	2.01	14.2	0.27	1165	3.2	22.74
6	7.07	1.92	13.6	0.27	1162	3.2	23.76
7	7.07	2.17	15.4	0.37	1126	4.3	27.81
8	7.07	2.17	15.3	0.37	1129	4.3	27.93
9	7.07	2.41	17.1	0.47	1090	5.3	30.83
10	7.07	2.41	17.0	0.47	1096	5.3	31.03
11	7.07	2.39	16.9	0.47	1094	5.3	31.21
12	7.06	2.66	18.8	0.57	1058	6.2	32.95
13	7.06	2.95	20.8	0.67	1002	6.9	33.06
14	7.06	2.98	21.0	0.67	993	6.8	32.45
15	7.06	3.26	23.0	0.77	942	7.4	32.34

**DATASHEET**  
**GRAPH**

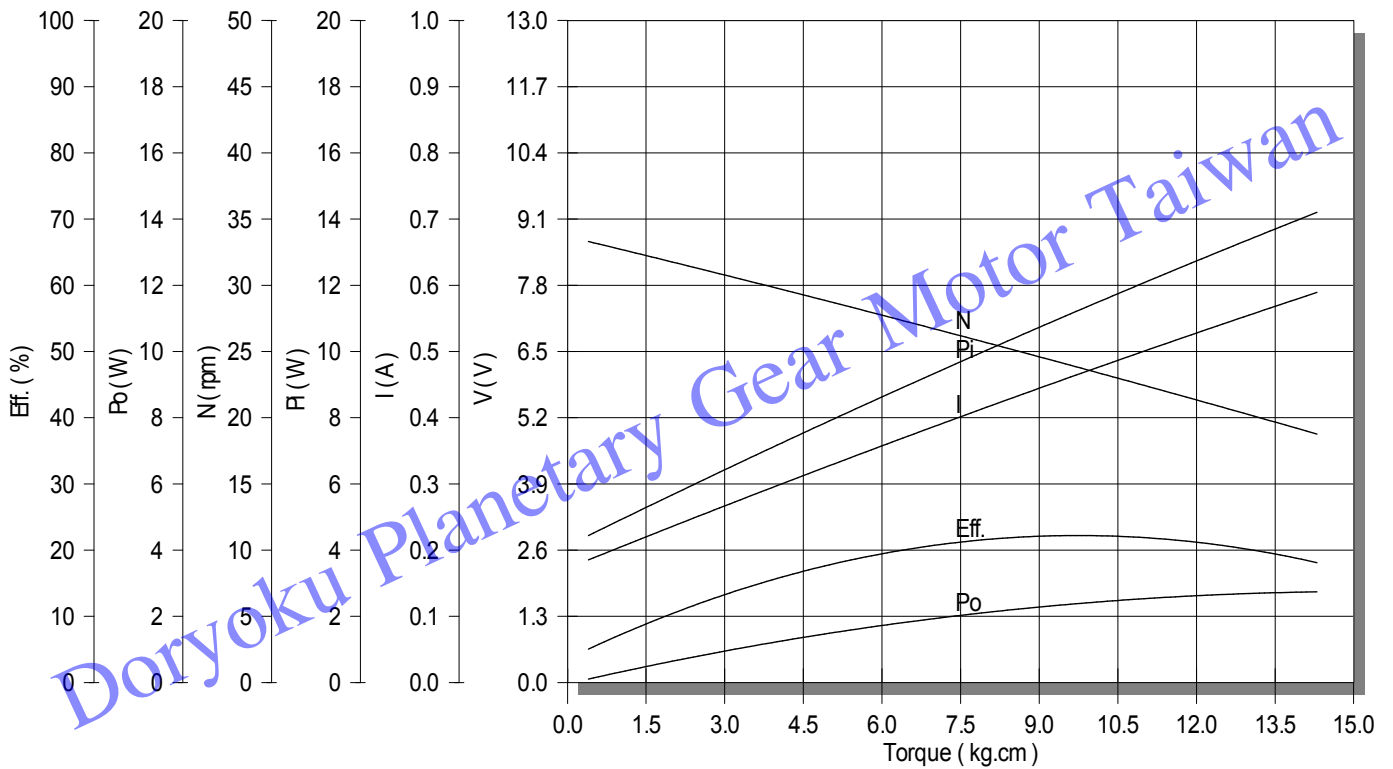


**KING RIGHT MOTOR CO., LTD.**  
**DC MOTOR TESTED TECHNICAL DATA**

Date : 2009/4/8	MACHINE TYPE : 8.5kg.cm
MODEL NAME : P220149M211260	GEAR RATIO : 1 / 149
BATCH NAME : TEST0408-2	NO-LOAD-SPEED : 6000
SUB NAME : 20090408_13_44_04	VOLTAGE : 12 VDC CURRENT :

NO.	(V) VOLTAGE	(A) AMP.	(W) INPUT	(kg-cm) TORQUE	(rpm) SPEED	(W) OUTPUT	(%) EFF.
1	12.11	0.23	2.8	1.36	36	0.5	17.91
2	12.11	0.30	3.6	2.14	34	0.8	20.87
3	12.10	0.30	3.7	3.04	32	1.0	27.26
4	12.11	0.39	4.8	3.43	30	1.1	22.20
5	12.11	0.36	4.4	3.83	28	1.1	24.98
6	12.11	0.38	4.6	4.22	26	1.1	24.57
7	12.11	0.39	4.7	4.62	26	1.2	26.39
8	12.11	0.39	4.7	5.01	26	1.3	28.31
9	12.11	0.43	5.2	5.40	23	1.3	24.39
10	12.11	0.45	5.5	5.80	24	1.4	26.07
11	12.11	0.50	6.1	6.29	22	1.4	23.25
12	12.11	0.52	6.3	6.70	22	1.5	23.90
13	12.11	0.52	6.3	7.09	20	1.5	23.15
14	12.11	0.57	6.9	7.49	20	1.5	22.40
15	12.11	0.56	6.8	7.88	19	1.5	22.75

**DATASHEET**  
GRAPH



KING RIGHT MOTOR CO., LTD.  
DC MOTOR TESTED TECHNICAL DATA

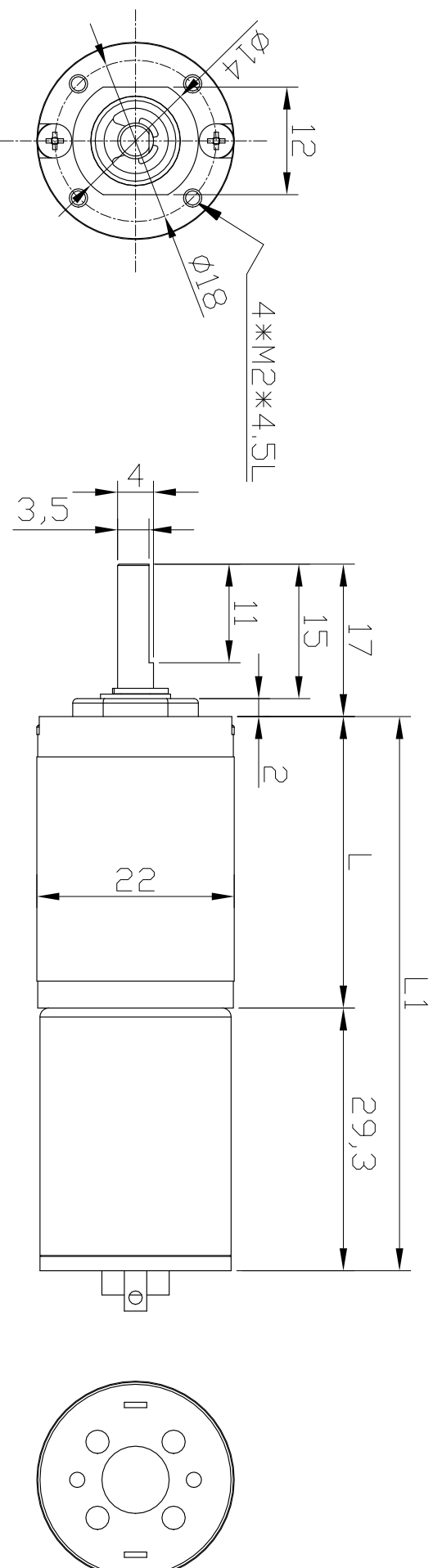
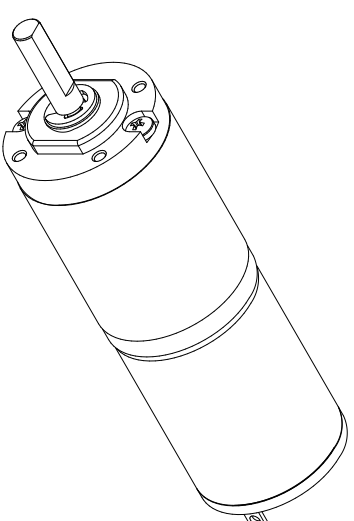
Date : 2009/6/5	MACHINE TYPE : 30kg.cm
MODEL NAME : P22-R243-2490	GEAR RATIO : 1 / 243
BATCH NAME : P22-243-2490-ORIGINAL	NO-LOAD-SPEED : 36
SUB NAME : DORYOKU DATA	VOLTAGE : 24 VDC CURRENT :

NO.	(V) VOLTAGE	(A) AMP.	(W) INPUT	(kg-cm) TORQUE	(rpm) SPEED	(W) OUTPUT	(%) EFF.
1	24.12	0.19	4.5	0.40	34	0.1	3.09
2	24.12	0.23	5.5	1.70	32	0.6	10.15
3	24.12	0.26	6.4	2.90	30	0.9	14.02
4	24.12	0.31	7.5	4.30	30	1.3	17.55
5	24.13	0.35	8.4	5.50	28	1.6	18.93
6	24.13	0.35	8.3	6.10	27	1.7	20.27
7	24.13	0.38	9.3	7.30	25	1.9	20.22
8	24.13	0.39	9.5	8.00	26	2.1	22.39
9	24.13	0.44	10.5	9.10	26	2.4	23.08
10	24.12	0.45	10.9	9.70	24	2.4	22.02
11	24.13	0.53	12.9	10.40	24	2.6	19.87
12	24.13	0.54	12.9	11.20	22	2.5	19.56
13	24.13	0.55	13.2	12.80	20	2.6	19.91
14	24.13	0.58	14.1	13.70	20	2.8	19.96
15	24.13	0.56	13.5	14.30	18	2.6	19.58

RATIO	L	L1
1/4	15.9	45.2
1/15.6~1/20.9	21.4	50.7
1/61.6~1/94.2	26.9	56.2
1/277.3~1/423.9	32.3	61.6

P22-B-M21

- 1 stage : 1/4
- 2 stages : 1/16 , 1/18 , 1/21
- 3 stages : 1/62 , 1/70 , 1/80 , 1/94
- 4 stages : 1/243 , 1/277 , 1/316 , 1/360 , 1/424



Voltage Range: 6.0 - 28.0V  
Output Speed: 3 - 2000 rpm

設計	Wing	比例	1:1
繪圖	TOKU	單位	M/M
日期	03/26/2018		

微動力科技有限公司  
DRYOKU TECHNICAL CORP.  
圖號 P22-B-M21